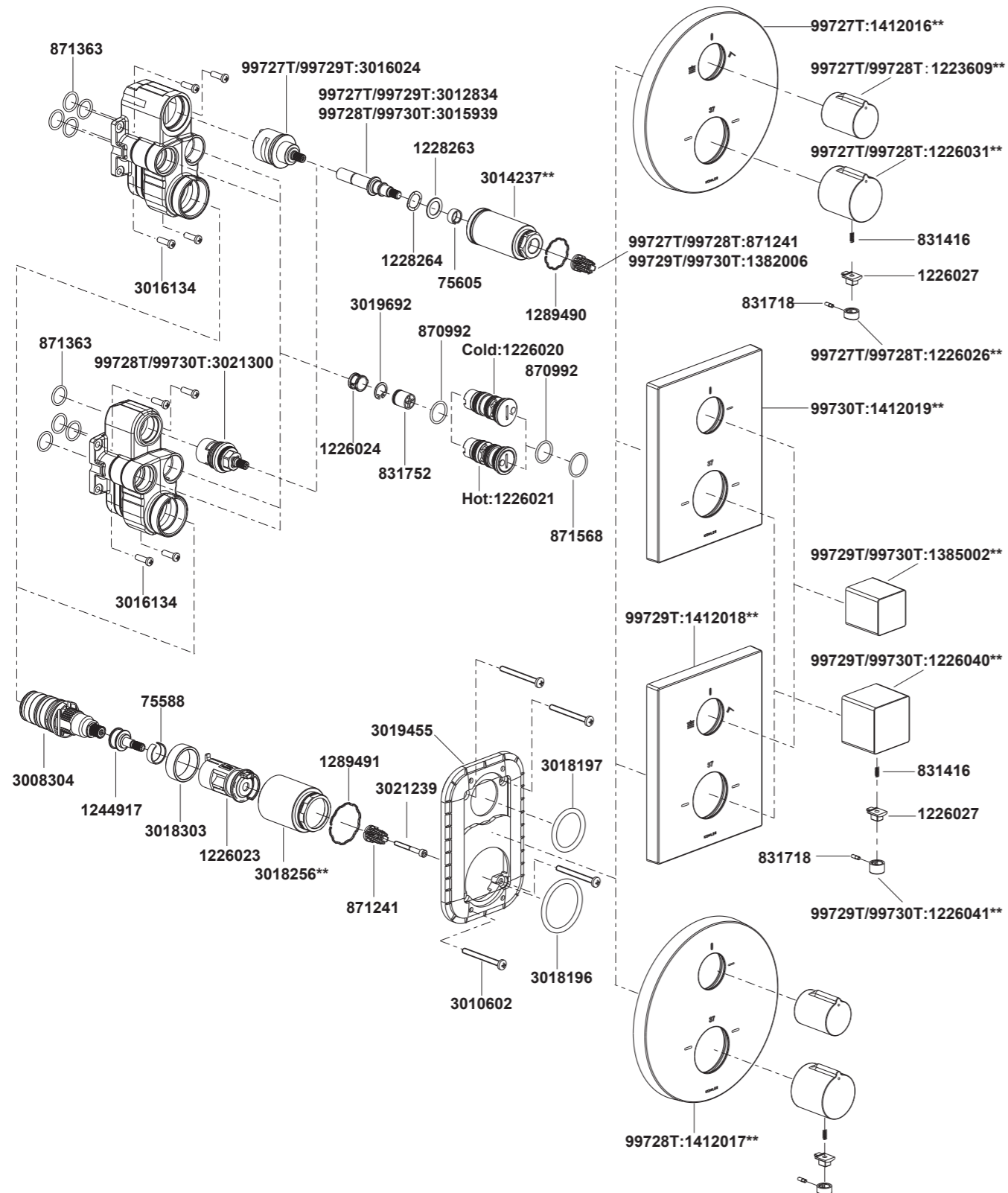


99727T-9 99729T-9 Recessed Thermostatic Bath Shower Trim And Valve
 99728T-9 99730T-9 Recessed Thermostatic Shower Only Trim And Valve



**Color code must be specified when ordering.
NOTE: For all Asia pacific regions (excluding China) add SP (SPxxxxxx**) in front of the part number when ordering.

99727T-9 99729T-9 Recessed Thermostatic Bath Shower Trim And Valve
 99728T-9 99730T-9 Recessed Thermostatic Shower Only Trim And Valve

BEFORE YOU BEGIN

All information is based on the latest product information available at the time of publication. Kohler Co. reserves the right to make changes in product characteristics, packaging, or availability at any time without notice.

Please leave these instructions for the consumer. They contain important information.

NOTES:

1. Flush the water supply pipes thoroughly to remove debris.
2. Inspect the supply tubing for damage and leakage. Replace and maintain as necessary.
3. Observe local plumbing codes. Shut off the main water supply.
4. Please ensure only apply water pressure test on the product, and empty the air in pipe and faucet thoroughly before the test. Please ensure test pressure below 0.8MPa(8bar) and test duration within 30 minutes.

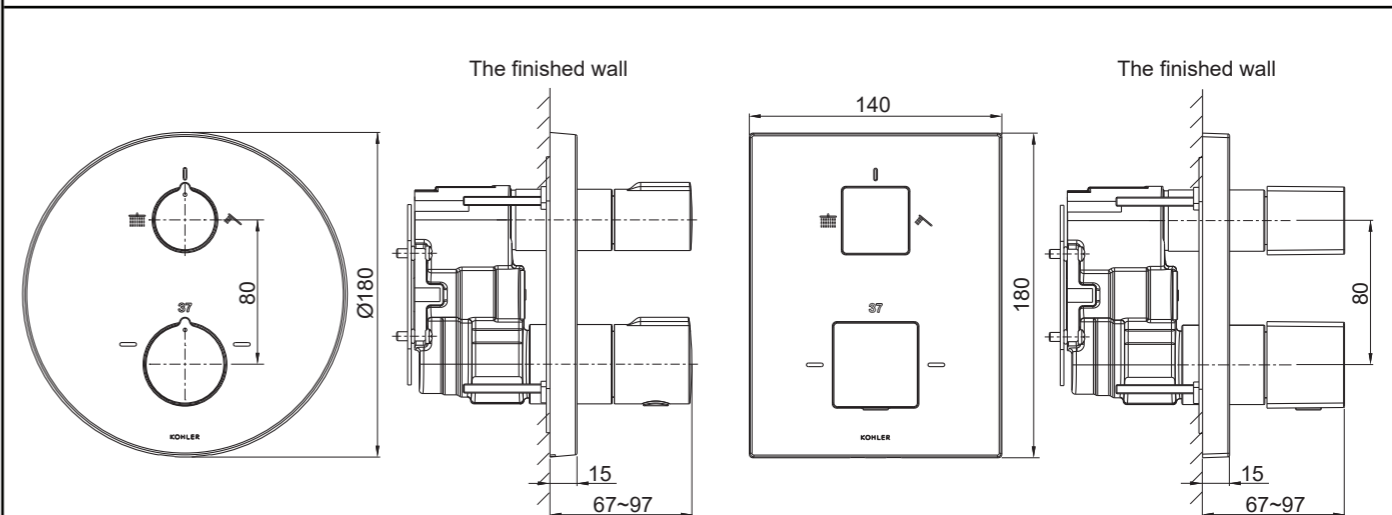
OPERATION CONDITION

1. Minimum supply pressures: 0.5bar.
2. Recommended supply pressures: 3bar on hot and cold water.
3. If supply pressure higher than 5bar: install a pressure reducer.
4. Pressure difference between hot and cold supply: 2bar maximum.
5. Hot supply water temperatures, minimum: 50°C, maximum: 70°C.
6. Recommended hot supply water temperature: 60°C (energy-saving).
7. Setting range, approximately: 20°C to 49°C.
8. Safety stop at: 37°C.

STANDARD APPLICABLE

Special model meets or exceeds the following at date of manufacture: TIS

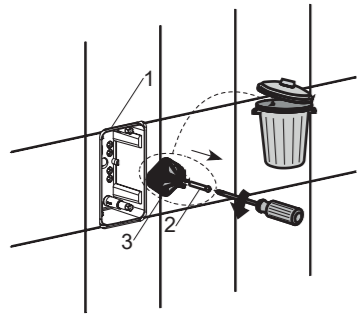
ROUGH-IN DIMENSIONS



99727T-9/99728T-9

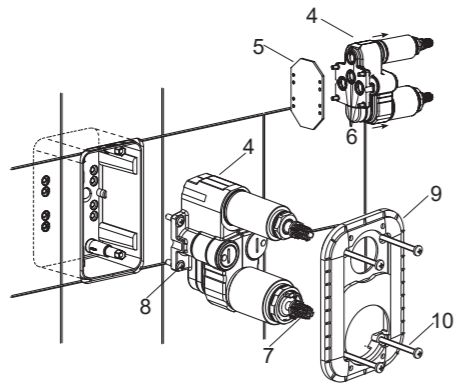
99729T-9/99730T-9

INSTALLATION



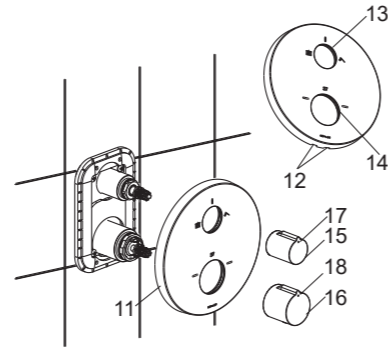
NOTE: Install mounting box kit(1) according to the rough-in dimensions of 98699T-B-NA.

Cut the protrudent part of the mounting box kit out of the finished wall. Unscrew the screw(2), remove the protect cover kit(3).



Remove the protection(5) on the valve kit(4). **NOTE:** Don't drop the o-rings(6), don't turn the cartridge spine(7) when install it. The holes on the bottom of the valve kit should be aligned with the holes in the mounting box. Install the valve kit into the mounting box kit, tighten the screws(8).

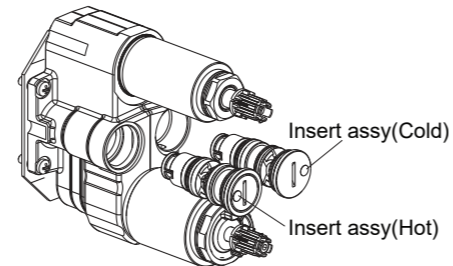
Slide the cover kit(9) onto the valve. Push it against the wall. Secure it with the screws(10).



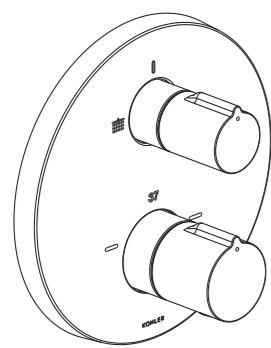
Slide the faceplate(11) onto the valve with slots(12) downwards. **NOTE:** Don't squeeze out the rings(13, 14). Push it against the wall.

Install the handle(15, 16) on the cartridge spindle with the round mark(17, 18) vertically upward.

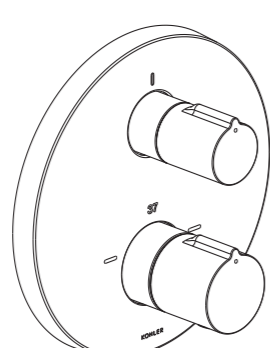
NOTE: If the hot and cold water supplies are mis-installed, to ensure the product to work properly, installer must exchange the position of the hot and cold insert assy.



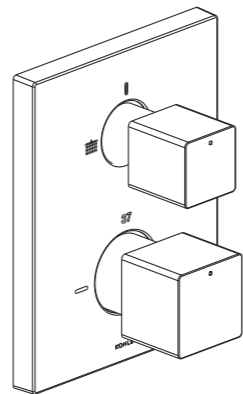
The illustration shown is the correct position of the handle in the closed position.



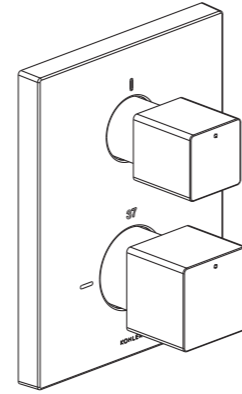
99727T-9



99728T-9



99729T-9



99730T-9

OPERATION INSTRUCTION

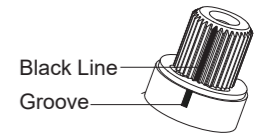
The temperature is set by slowly turning the temperature handle at underside. For safety reasons, there is a stop that limits temperature to 37°C. To get a higher temperature, push the button and continue turning the temperature handle.

Water flow is set by turning the top flow handle.

Temperature Verification and Setting

The installer **MUST** carry out the below steps during commissioning of the valve. Failure to do so may lead to higher than expected temperatures during showering.

There is a black line and a groove on the spline and valve. **CHECK** these are both in alignment prior to installing the temperature handle.

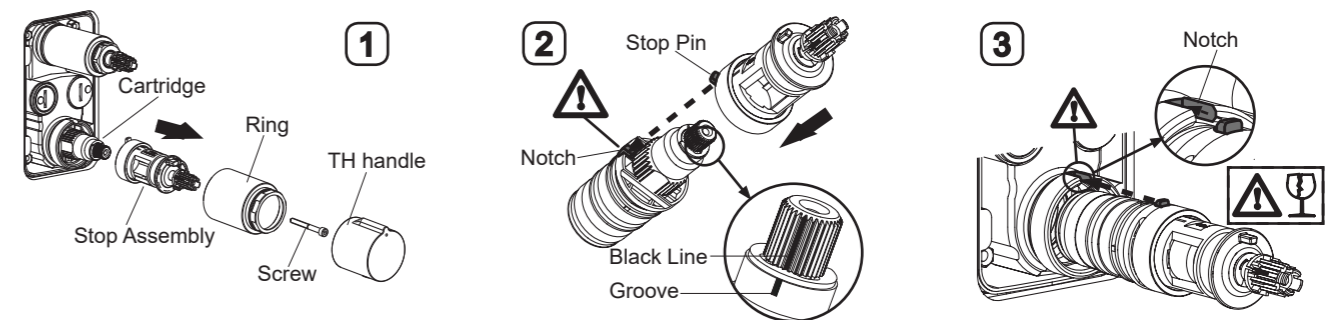


With the handle installed **MEASURE** the outlet temperature with a thermometer. Make sure that the water feeds of the faucet have reached the highest temperature but within the recommended range by running the water sufficiently. With the selector pointing towards the 37°C setting (12 O'clock on the clockface) and turning against temperature safety stop, the temperature of the water should be within the range of 36°C to 38°C.

If this temperature is out of range, the setting should be adjusted as follows...

- Remove the temperature handle.
- Starting at the coldest setting, slowly turn the spline until 37°C is reached.
 - If you go beyond 37°C, return to coldest setting and start again.
- **MEASURE** temperature once stable, confirming 37°C.
- Without moving the spline, reinstall temperature handle with the selector pointing towards the 37°C setting.

CARE AND MAINTENANCE



Clean Thermostatic Cartridge

Very hard water can obstruct the filters on thermostatic cartridge and reduce the water flow. Please clean the cartridge as follows:

Shut off the water supplies of the faucet and open the flow valve, then proceed to remove the cartridge. The cartridge is sense part, please be careful.

Make sure the handle or laser engraving is aligned with the number 37 on faceplate before your action. Remove the temperature handle kit. Remove ring, screw and stop assembly(Fig.1). Remove the thermostatic cartridge cautiously. Clean the thermostatic cartridge by soaking it in warm vinegar.

After cleaning, make sure that the black line is correctly in line with the groove. Install the "stop assembly" back on the cartridge, adjusting the stop pin into the notch(Fig.2). Install the cartridge and stop assembly into the body, adjust the stop pin into the notch(Fig.3). Reinstall the ring and screw. Reinstall the temperature handle kit and align the handle or laser engraving to the "37" on the faceplate.

INSTALLATION CHECKOUT

Ensure that all coupling nuts are tight. Ensure that the handle is in the off position. Turn on the main water supply, and check for leaks. Repair as needed.

CLEANING INSTRUCTIONS

All Finishes: Clean the finish with mild soap and warm water. Wipe entire surface completely dry with clean soft cloth. Many cleaners may contain chemicals, such as ammonia, chlorine, toilet cleaner etc. which could adversely affect the finish and are not recommended for cleaning.

Do not use abrasive cleaners or solvents on Kohler faucets and fittings.